

# LITHIUM FIRE KILLER HARTINDO AF31



LITHIUM FIRE KILLER

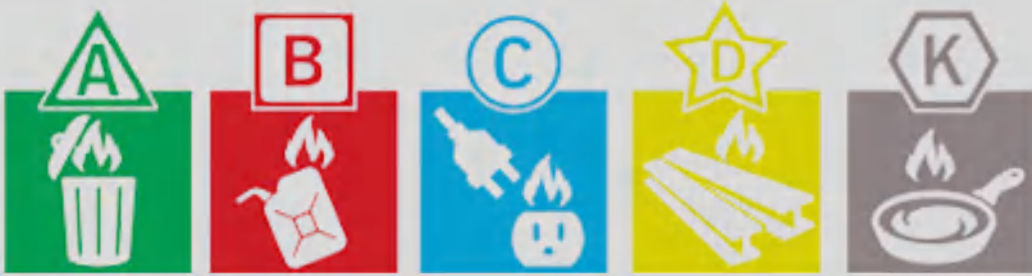
LITHIUM FIRE KILLER HARTINDO AF31 is the premier fire-extinguishing solution designed to address the specific fire hazards associated with electric vehicles (EVs) and various types of fires. With a specialized formula tailored for lithium-ion battery fires and other fire classes (A, B, C, D, F/K), AF31 ensures comprehensive fire protection. This water-based, biodegradable, and non-toxic solution delivers rapid and efficient fire suppression while prioritizing safety for users and the environment.

## ADVANTAGES:

- Non-Toxic, Water Based.
- Environment Friendly, Non-ODP.
- Naturally Dissolvable.

## TESTING LABS:

ASTM E84-07, UL723, NFPA255, LC50  
LD50 (US FDA).



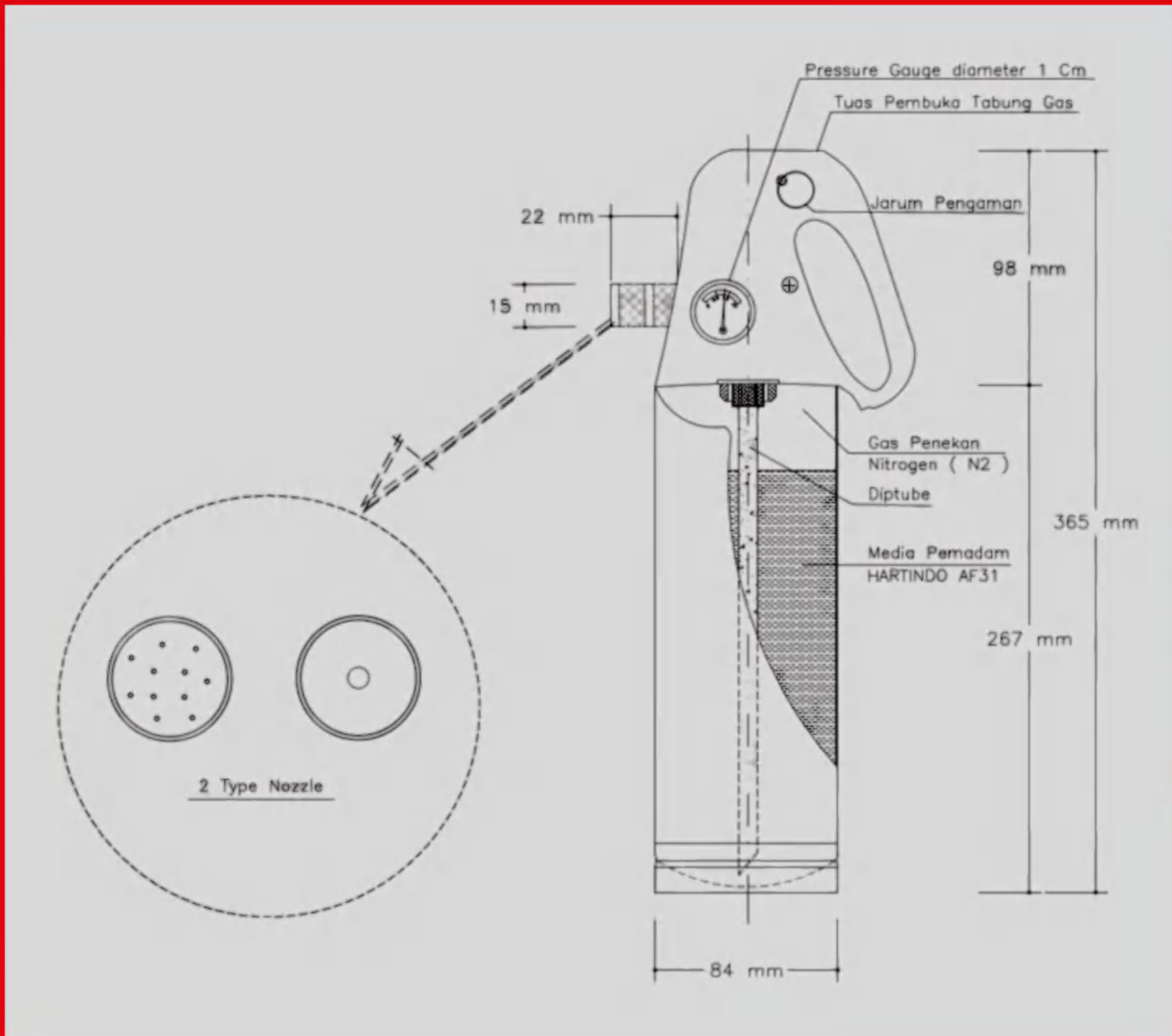
MODEL	SS1110	SS3110	SS6110
<b>CAPACITY</b>	1 kg	3 kg	6 kg
<b>PRESSURE TYPE</b>	Stored pressure nitrogen (N2)		
<b>WORKING PRESSURE</b>	14 - 16 bar		
<b>TEST PRESSURE</b>	25 bar		
<b>OPERATING TEMP</b>	-15 celcius to +55 celcius		
<b>WARRANTY</b>	5 year manufacturer's warranty		
<b>FIRE RATING</b>	1A/6B (Dinas Kebakaran Jakarta)	8A/70B (BS5423, EN), 2A/10B	13A/89B (EN3) 2A/15B
<b>DISCHARGE TIME</b>	7 seconds	11 seconds	21 seconds
<b>DISCHARGE RANGE</b>	5 mtr	10 mtr	10 mtr
<b>STANDARD</b>	Class A, B, C, D, F/K		
<b>APPLICABLE</b>	Wood, paper, textile, rubber, oil, gas, electric, metal & lithium fires.		
<b>CYLINDER MATERIAL</b>	Stainless steel		
<b>FINISHING</b>	Chrome / Silver color, UV resistance, anti corossive coating		
<b>HEIGHT</b>	267 mm / 365 mm (+nozzle)	320 mm / 420 mm (+nozzle)	430 mm / 540 mm (+nozzle)
<b>DIAMETER</b>	84 mm	130 mm	160 mm
<b>NOZZLE LENGTH</b>	30 mm	40 mm	40 mm
<b>GROSS WEIGHT</b>	1.8 kg	4.6 kg	8.6 kg
<b>LABELING</b>	Main label sticker & QR coded warranty sticker		



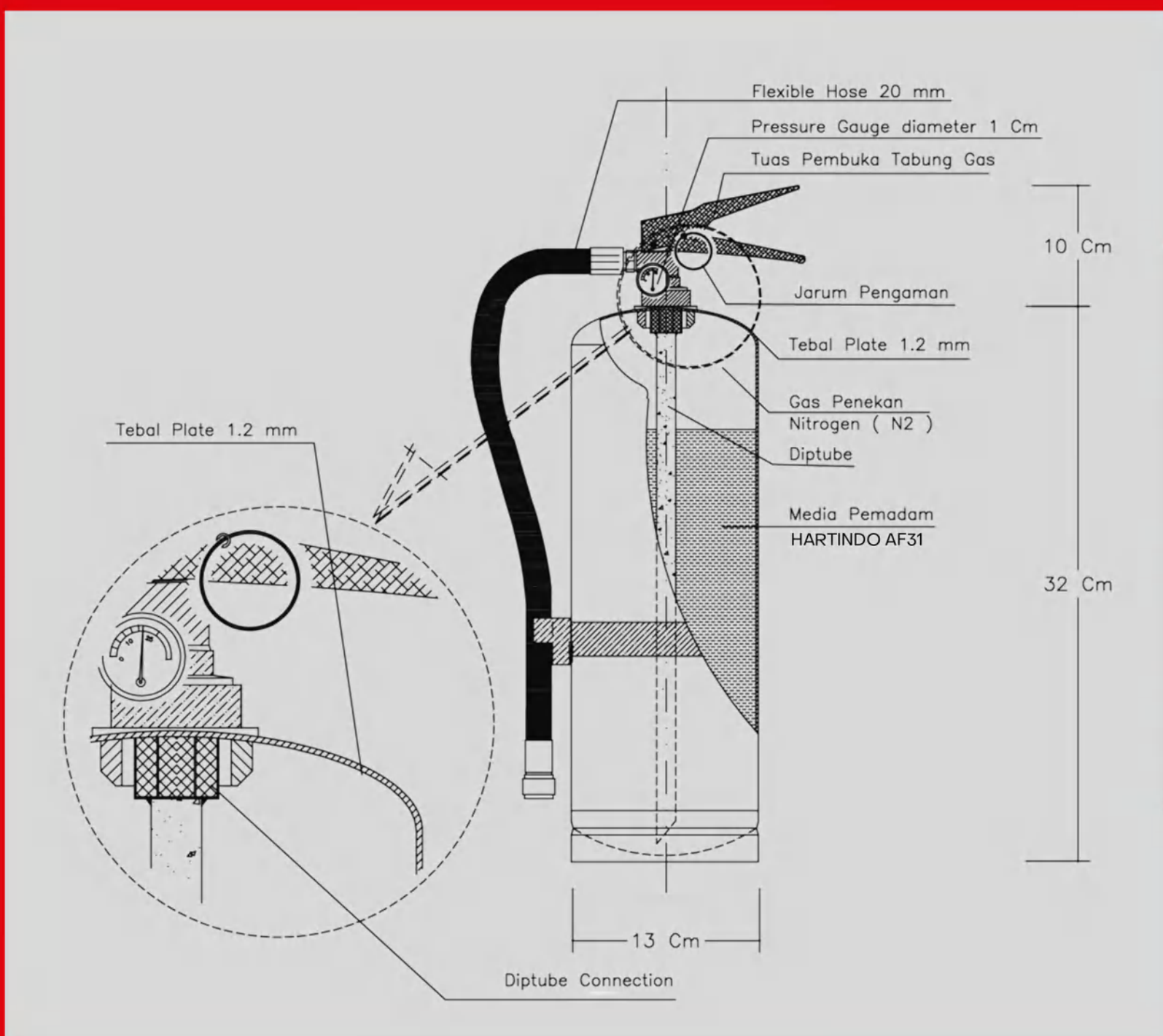
# LITHIUM FIRE KILLER HARTINDO AF31



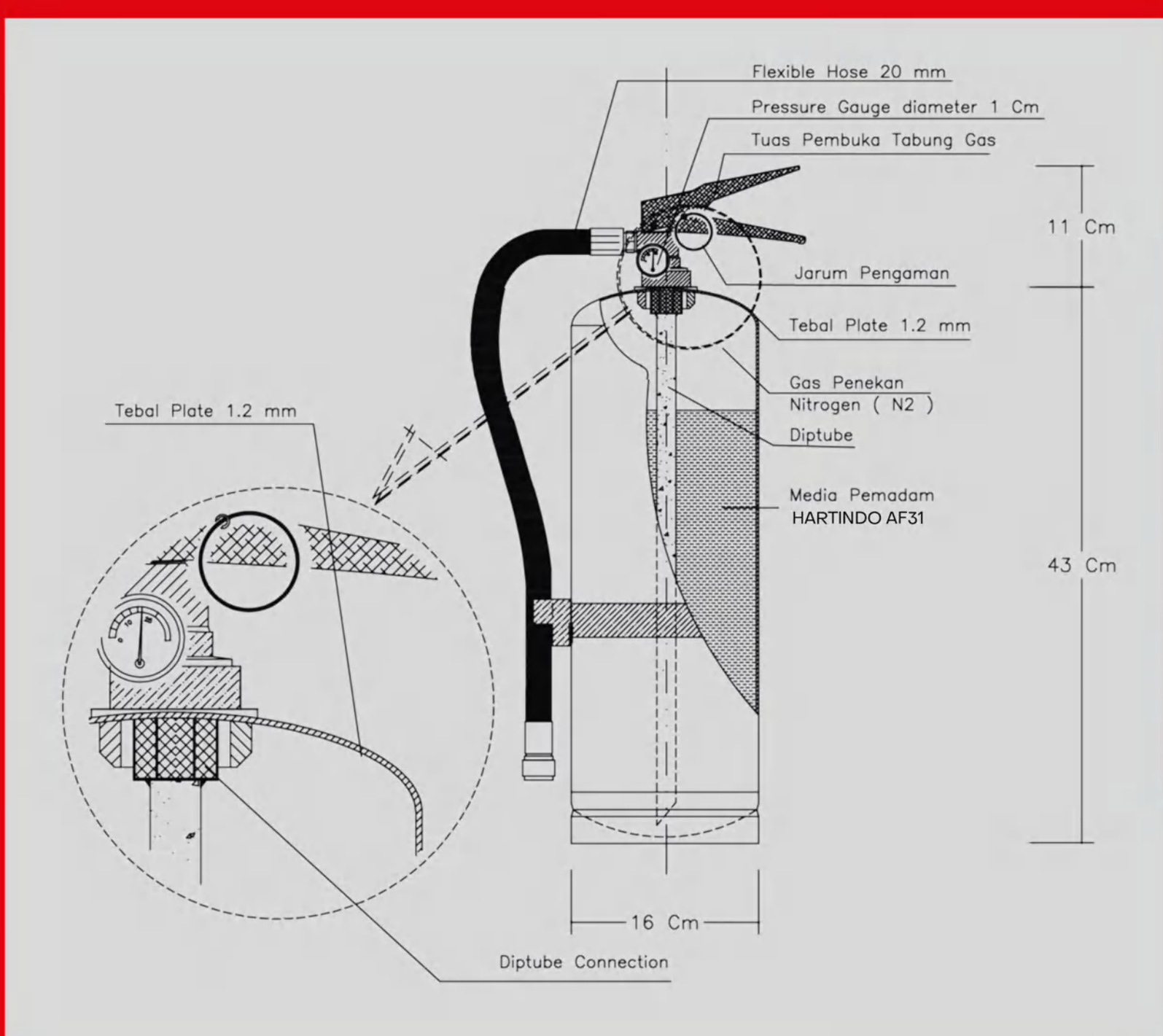
LITHIUM FIRE KILLER



**SS1110 - 1 Kg**



**SS3110 - 3 Kg**



**SS6110 - 6 kg**



## BUILT TOUGH

- 5-Year manufacturer's warranty
- QR coded warranty
- Stored pressure design
- Polished stainless steel cylinders
- Cylinder thickness 1.2 MM
- All-metal valve construction, Chrome-plated brass valve
- Exclusive crevice-free, butt-welded cylinder

### Usage Instructions:

- Apply based on the type of fire; follow recommended application methods.
- Ensure proper training for effective use.
- Store in a cool, dry place away from direct sunlight.

### Storage and Shelf Life:

- Store between 5°C to 40°C.
- Shelf life: 5 years from the date of manufacture.



# LITHIUM FIRE KILLER HARTINDO AF31



LITHIUM FIRE KILLER

## KEY FEATURES

- Tailored for EV Safety: Specially designed for electric vehicle (EV) fire safety to tackle the unique challenges presented by lithium-ion battery fires.
- Versatility: Effective on all classes of fires, including solid materials, flammable fuels, gas and electricity fires, metal fires, and cooking oil fires.
- Fast Knockdown: Extinguishes fires swiftly and prevents re-ignition, offering a safe escape route in emergency situations.
- Easy to Apply: Can be delivered through conventional water or foam dispersal systems and is compatible with all water or foam tenders without modification.
- Maximum visibility during discharge
- No electrical conductivity back to the operator
- Ideal for Wildfires: Effective in creating fire breaks during forest fire suppression efforts.
- Suitable for Training: Perfect for fire training exercises.

*\*Applications: Electric vehicle (EV), EV station charging, any combustion automotive, residential, commercial building, industrial, mining, hospitals, schools, transportation, warehouse, firefighting training and education, etc.*

### Tested and Certified:



## HOW TO USE



SUITABLE FOR TYPES OF FIRE	
Class A	Ordinary combustibles (wood, paper, rubber, fabrics, and plastics, etc).
Class B	Flammable liquids & gases (gasoline, oils, paint, lacquer, and tar, etc).
Class C	Live electrical equipment fires involving live electrical equipment.
Class D	Combustible metals or combustible metal alloys (magnesium, titanium, potassium, lithium, etc).
Class F/K	Fires in cooking appliances that involve combustible cooking media vegetable or animal oils, and fats.



# LITHIUM FIRE KILLER HARTINDO AF31



LITHIUM FIRE KILLER

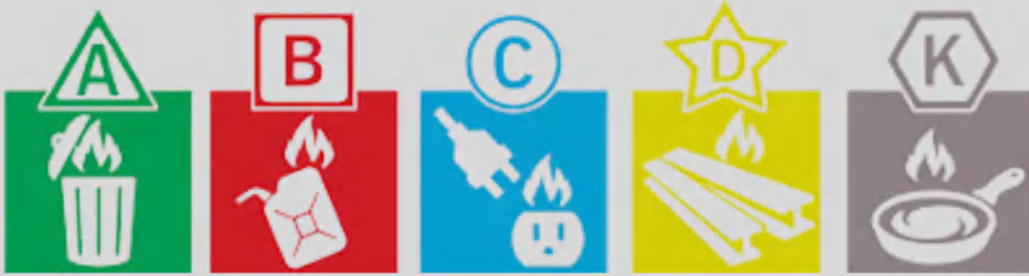
LITHIUM FIRE KILLER HARTINDO AF31 is the premier fire-extinguishing solution designed to address the specific fire hazards associated with electric vehicles (EVs) and various types of fires. With a specialized formula tailored for lithium-ion battery fires and other fire classes (A, B, C, D, F/K), AF31 ensures comprehensive fire protection. This water-based, biodegradable, and non-toxic solution delivers rapid and efficient fire suppression while prioritizing safety for users and the environment.

## ADVANTAGES:

- Non-Toxic, Water Based.
- Environment Friendly, Non-ODP.
- Naturally Dissolvable.

## TESTING LABS:

ASTM E84-07, UL723, NFPA255, LC50  
LD50 (US FDA).



MODEL	SS2510	SS5010
CAPACITY	25 kg	50 kg
PRESSURE TYPE	Stored pressure nitrogen (N2)	
WORKING PRESSURE	14 - 18 bar	
TEST PRESSURE	50 bar	
OPERATING TEMP	-15 celcius to +55 celcius	
WARRANTY	5 year manufacturer's warranty	
FIRE RATING	7A/20B	7A/20B
DISCHARGE TIME	79 seconds	154 seconds
DISCHARGE RANGE	15 mtr	20 mtr
STANDARD	Class A, B, C, D, F/K	
APPLICABLE	Wood, paper, textile, rubber, oil, gas, electric, metal & lithium fires.	
CYLINDER MATERIAL	Stainless steel	
FINISHING	Chrome / Silver color, UV resistance, anti corossive coating	
HEIGHT	820 mm	920 mm
DIAMETER	280 mm	320 mm
HOSE LENGTH	3,000 mm (+ 150 mm of Nozzle Length)	3,000 mm (+ 150 mm of Nozzle Length)
WHEEL DIAMETER	320 mm	320 mm
GROSS WEIGHT	49.6 kg	87.25 kg
LABELING	Main label sticker & QR coded warranty sticker	

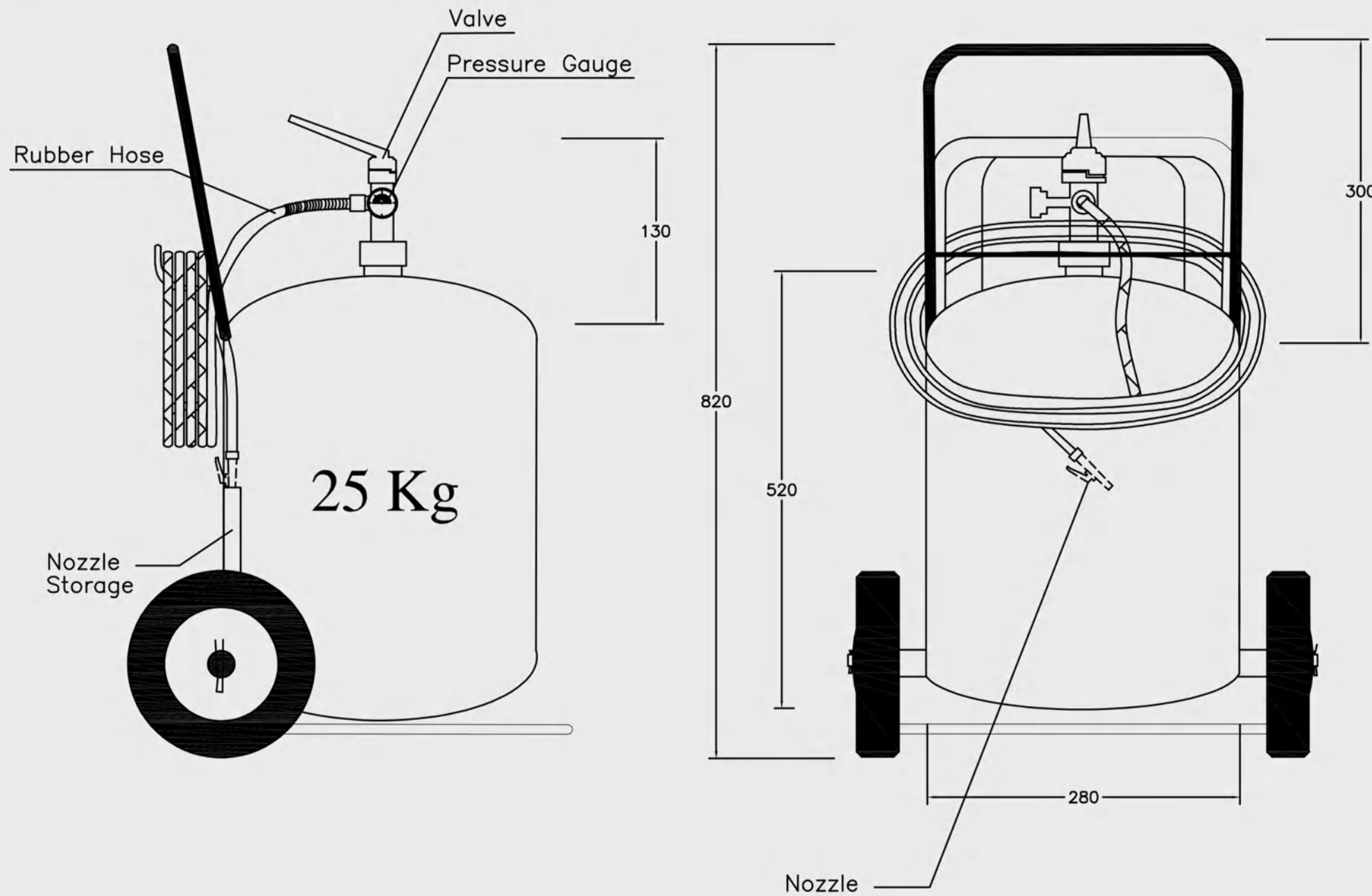


# LITHIUM FIRE KILLER HARTINDO AF31



LITHIUM FIRE KILLER

## SS2510 - 25 Kg



Side View

Front View

★★★★★  
**IDEAL FOR INDUSTRIAL  
AND SPECIALIZED FIELD  
APPLICATIONS**

## BUILT TOUGH

- 5-Year manufacturer's warranty
- QR coded warranty
- Stored pressure design
- Polished stainless steel cylinders
- Cylinder thickness 1.2 MM
- All-metal valve construction, Chrome-plated brass valve
- Exclusive crevice-free, butt-welded cylinder

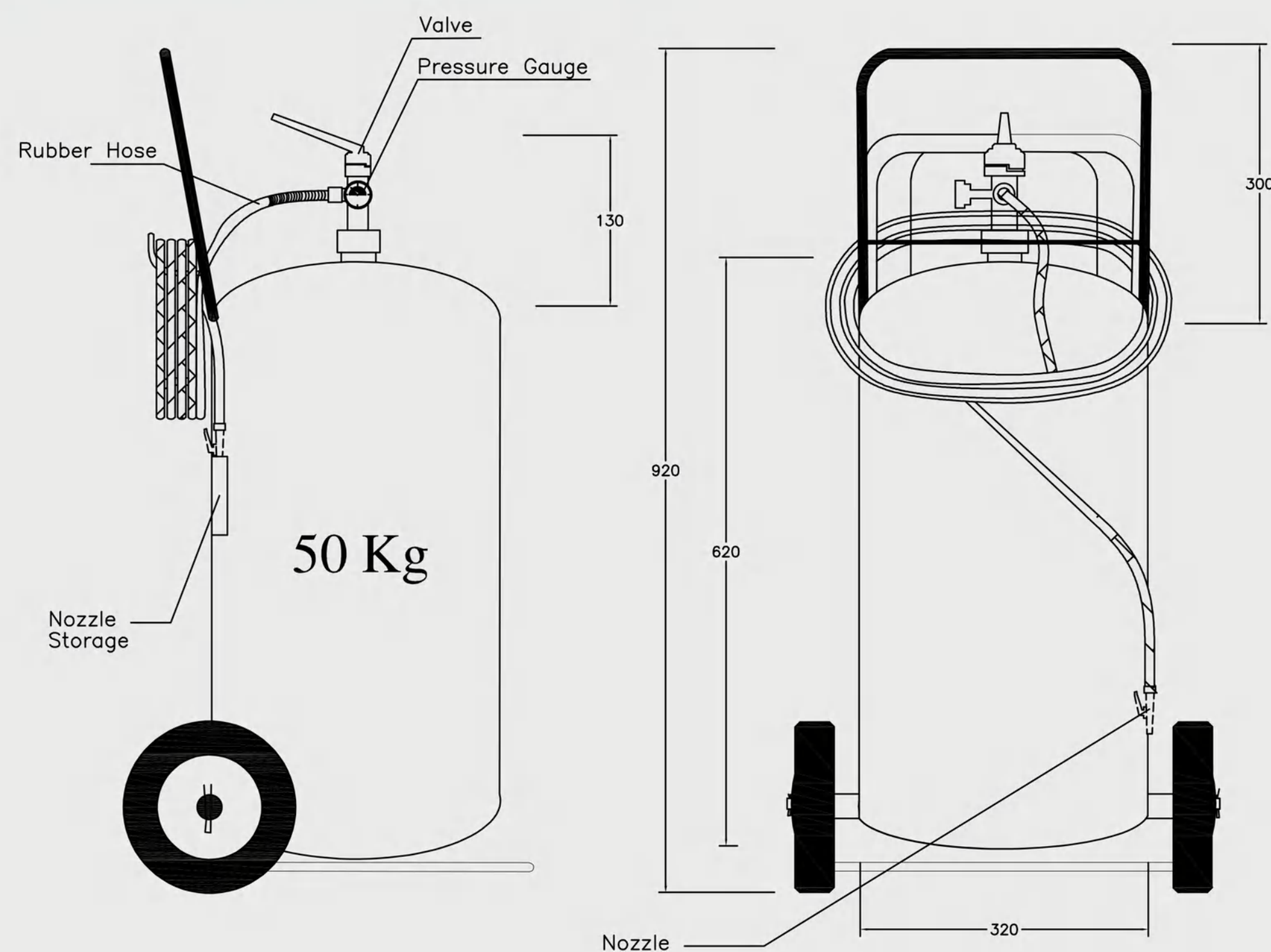
### Usage Instructions:

- Apply based on the type of fire; follow recommended application methods.
- Ensure proper training for effective use.
- Store in a cool, dry place away from direct sunlight.

### Storage and Shelf Life:

- Store between 5°C to 40°C.
- Shelf life: 5 years from the date of manufacture.

## SS5010 - 50 Kg



Side View

Front View



# LITHIUM FIRE KILLER HARTINDO AF31



LITHIUM FIRE KILLER

## KEY FEATURES

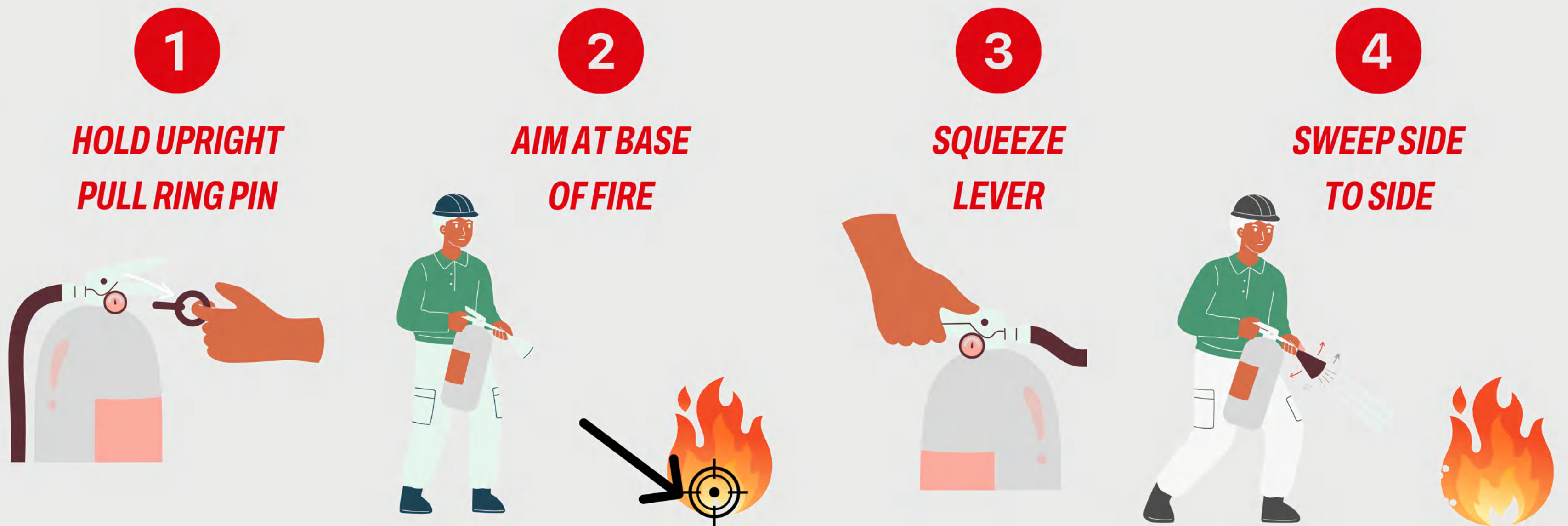
- Tailored for battery fire: Specially designed for industrial and specialized field applications fire safety to tackle the unique challenges presented by lithium-ion battery fires.
- Versatility: Effective on all classes of fires, including solid materials, flammable fuels, gas and electricity fires, metal fires, and cooking oil fires.
- Fast Knockdown: Extinguishes fires swiftly and prevents re-ignition, offering a safe escape route in emergency situations.
- Easy to Apply: Can be delivered through conventional water or foam dispersal systems and is compatible with all water or foam tenders without modification.
- Maximum visibility during discharge
- No electrical conductivity back to the operator
- Ideal for Wildfires: Effective in creating fire breaks during forest fire suppression efforts.
- Suitable for Training: Perfect for fire training exercises.

\*Applications: Electric vehicle (EV), EV station charging, any combustion automotive, heavy equipment, battery storage, residential, commercial building, industrial, mining, hospitals, schools, transportation, warehouse, firefighting training and education, etc.

### Tested and Certified:



## HOW TO USE



SUITABLE FOR TYPES OF FIRE	
Class A	Ordinary combustibles (wood, paper, rubber, fabrics, and plastics, etc).
Class B	Flammable liquids & gases (gasoline, oils, paint, lacquer, and tar, etc).
Class C	Live electrical equipment fires involving live electrical equipment.
Class D	Combustible metals or combustible metal alloys (magnesium, titanium, potassium, lithium, etc).
Class F/K	Fires in cooking appliances that involve combustible cooking media vegetable or animal oils, and fats.